

PRODUCT INFORMATION PACKET

Model No: 182TTTS18532

Catalog No: S506

3 HP Definite Purpose AC Motor, 3 phase, 1800 RPM, 460 V, 182T Frame, TEAO
Other Purpose Motors



Regal and Marathon are trademarks of Regal Beloit Corporation or one of its affiliated companies.
©2020 Regal Beloit Corporation, All Rights Reserved. MC017097E

REGAL

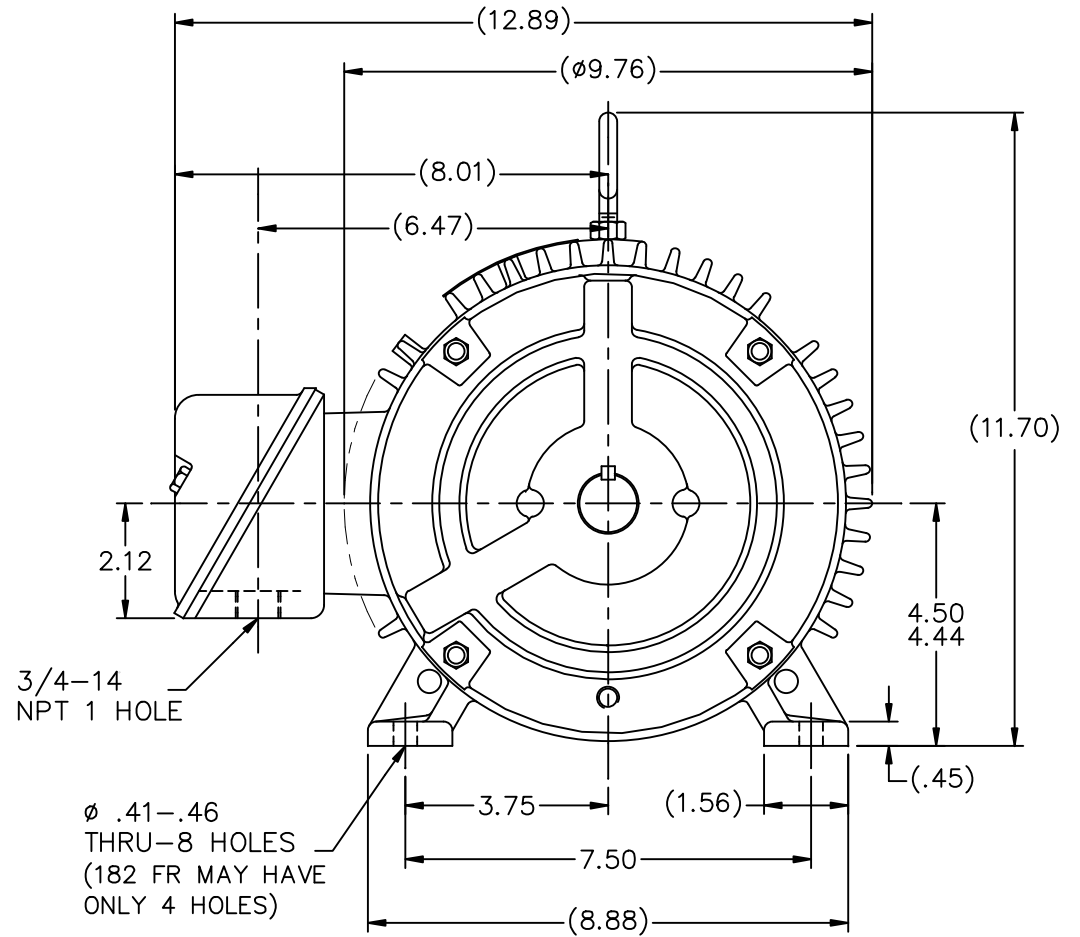
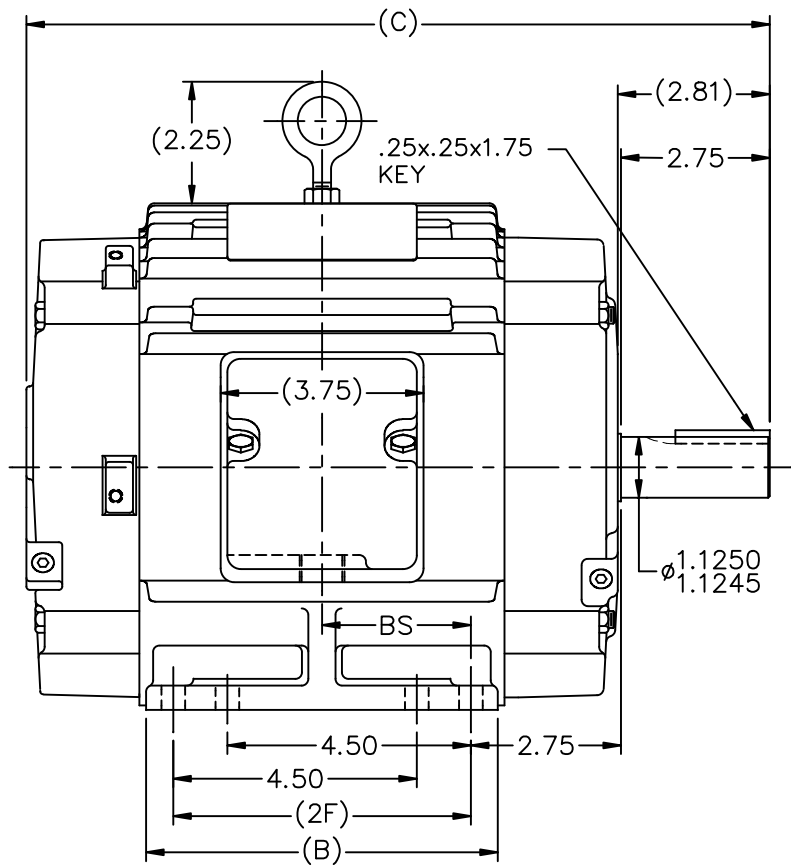
Nameplate Specifications

Output HP	3 Hp	Output KW	2.2 kW
Frequency	60 Hz	Voltage	460 V
Current	3.9 A	Speed	1755 rpm
Service Factor	1	Phase	3
Efficiency	90.2 %	Power Factor	81
Duty	Continuous	Insulation Class	H
Design Code	B	KVA Code	K
Frame	182T	Enclosure	Totally Enclosed Air Over
Thermal Protection	No	Ambient Temperature	100 °C
Drive End Bearing Size	6206	Opp Drive End Bearing Size	6205
UL	Recognized	CSA	Y
CE	N	IP Code	54

Technical Specifications

Electrical Type	Squirrel Cage Inverter Rated	Starting Method	Line Or Inverter
Poles	4	Rotation	Reversible
Resistance Main	4.18 Ohms	Mounting	Rigid Base
Motor Orientation	Horizontal	Drive End Bearing	Ball / Heat Stabilized
Opp Drive End Bearing	Ball / Heat Stabilized	Frame Material	Cast Iron
Shaft Type	T	Overall Length	13.74 in
Frame Length	6.75 in	Shaft Diameter	1.125 in
Shaft Extension	2.81 in	Assembly/Box Mounting	F1/F2 Capable
Outline Drawing	A-SS67889-675	Connection Drawing	A-EE7300T

This is an uncontrolled document once printed or downloaded and is subject to change without notice. Date Created:19/10/2020



DASH	FR.	C	B	2F	BS	MOUNTING
575	182T	12.74	5.50	4.50	2.25	F1 OR F2
675	182/4T	13.74	6.50	5.50	2.75	F1 OR F2
800	182/4T	14.99	7.75	5.50	3.38	F1 ONLY

NOTES:

1. CONDUIT BOX CAN BE ROTATED IN 90° STEPS.
2. CONDUIT BOX CAN BE MOUNTED ON OPPOSITE SIDE BY REMOVING BRACKETS AND TURNING FRAME 180°.
3. NAMEPLATE TO BE READ FROM CONDUIT BOX SIDE OF MOTOR.

NO.	REVISION	BY & DATE	CHK	ANG	±7'30"
10	REVISED -575 MOUNTING MU98218	SJW 11/9/2010			
9	SHAFT EXT. WAS 2.72 NOW 2.75 CN46656	RJW 03-15-2007	ML	DEC.	INCHES
8	ADDED 2F DIMENSION TO DASH 575 CN 33528	TAT 04-01-2004	ML	.X	±.1
7	SHOWED PROPER THREAD EXT. LOC. CN 29200-323	TJB 04-10-2000		.XX	±.03
6	ADDED -675 W/ 182T FRAME & MTGS. CN 27400-320	CAE 01-17-2000		.XXX	±.005
5	ADDED FOUR MOUNTING HOLES IN BASE CN 26348	DRS 08-11-1998		.XXXX	±.0005

TOLERANCES UNLESS SPECIFIED	INCHES
DEC.	INCHES
.X	±.1
.XX	±.03
.XXX	±.005
.XXXX	±.0005
ANG	±7'30"
RFP	
DIST	LB



TITLE OUTLINE
180 FR. - BB - TS - TENV
MAT'L.
FINISH

DRAWN	SMC 10-01-1992
CHK	MOL 10-01-1992
APPD	GK 10-01-1992
SCALE	9=32
REF	
FMF	
PREV	

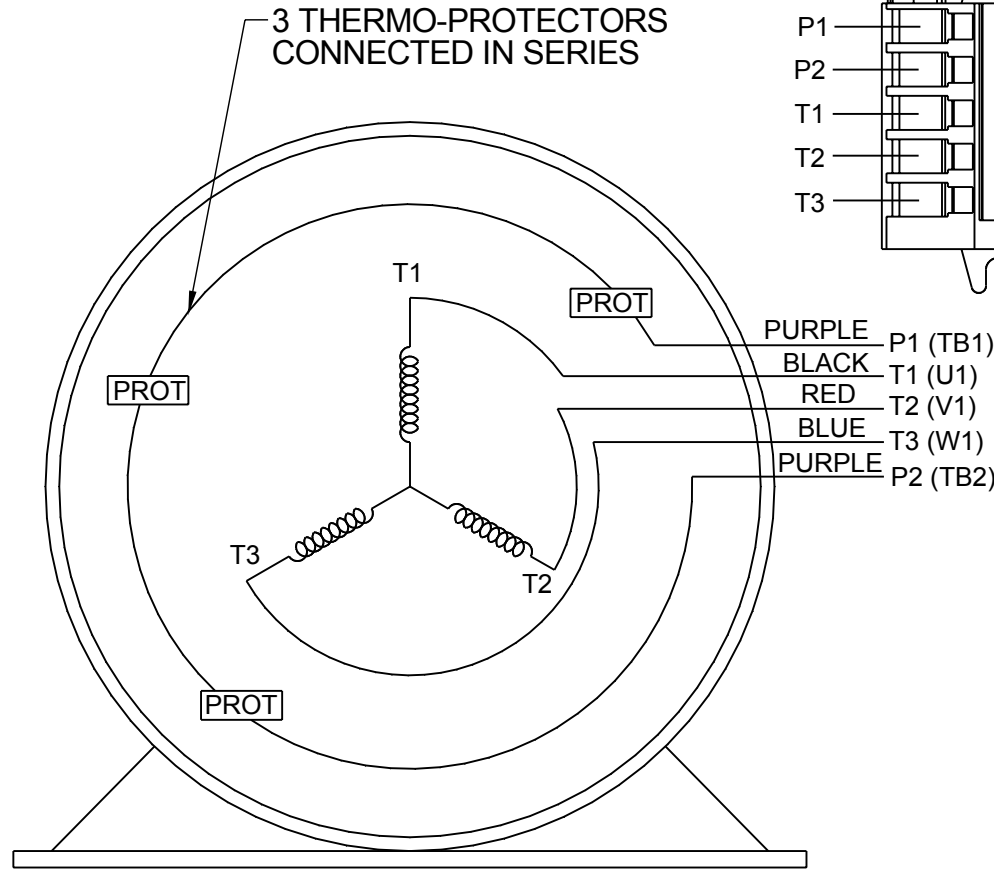
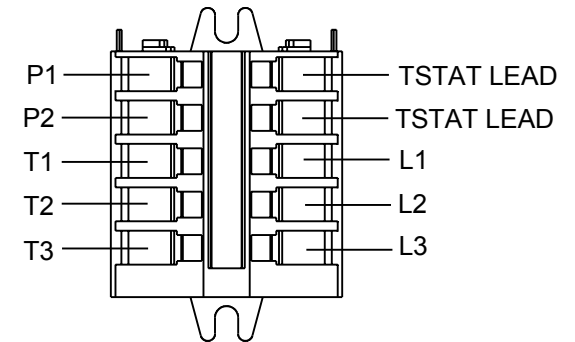
CAD FILE	SS67889	SIZE	DRAWING NO.	PAGE	OF	REV.
		A	SS67889			10

**THREE PHASE - SINGLE VOLTAGE
MOTOR - CONDUIT BOX @ 'A'**

**TO REVERSE ROTATION:
INTERCHANGE ANY TWO LINE
LEAD CONNECTIONS**

**NOTE FOR FACTORY USE ONLY:
TO SURGE TEST:
FOR 3 LEAD COMMON CONNECT:
CONNECT P1 TO T1 THEN P2 TO L1
FOR 6 LEAD COMMON CONNECT:
CONNECT P1 TO BOTH T1
THEN P2 TO L1**

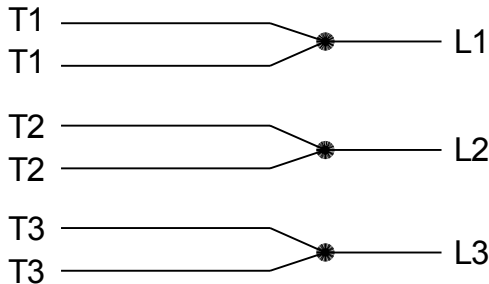
TERMINAL BLOCK WHEN SPECIFIED



PURPLE P1 (TB1)
BLACK T1 (U1)
RED T2 (V1)
BLUE T3 (W1)
PURPLE P2 (TB2)

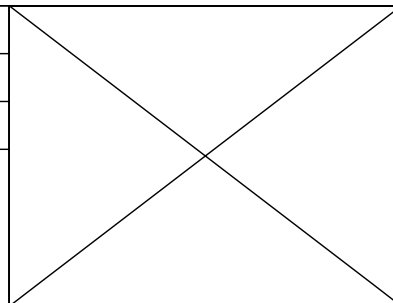
T2BM
T6AW
T6AL
T6Z
T4EG
T4BF
T8A
T6H
T6A
T4AX
T4A
T2A
T2F

**IF MOTOR HAS MULTIPLE
T'S PER LEAD CONNECT
TOGETHER LIKE T'S**



A-9806 DECAL

DRAWING REVISION AB	REVISION BY AJW	DATE 07-17-2015
ECO ECO-0081632	APPROVED BY T.VUE	DATE 07-17-2015
ECO DESCRIPTION REV'D IEC MARKINGS PER IEC-60034-8		
<small>COPYRIGHT REGAL BELOIT AMERICA, INC. ALL RIGHTS RESERVED. PROPRIETARY AND CONFIDENTIAL INFORMATION - THIS DOCUMENT IS THE PROPERTY OF REGAL BELOIT AMERICA, INC. ("OWNER") AND CONTAINS OWNER'S PROPRIETARY INFORMATION. ANY PERSON, CORPORATION OR OTHER FIRM RECEIVING IT IS DEEMED, BY RECEIVING IT, TO AGREE THAT IT, AND/OR ANY PART OF IT, SHALL NOT BE DISCLOSED TO ANY PERSON, CORPORATION OR OTHER ENTITY, DUPLICATED, AND/OR USED, EXCEPT AS EXPRESSLY APPROVED IN WRITING IN ADVANCE BY OWNER. THIS DOCUMENT SHALL BE RETURNED TO OWNER UPON REQUEST. IT MAY BE SUBJECT TO CERTAIN RESTRICTIONS UNDER APPLICABLE EXPORT CONTROL LAWS AND REGULATIONS.</small>		



DRAWN BY LZ	Regal Beloit America, Inc.
DATE 01-04-1994	
APPROVED BY GK	DESCRIPTION CONN DIAGRAM-EXTERNAL 3Ø-SINGLE VOLT-MOTOR WITH PROTECTOR
DATE 01-20-1994	MATERIAL
REFERENCE	PROCESS/FINISH
THIRD ANGLE PROJECTION	SIZE A
	DRAWING NUMBER EE7300T
	SHEET 1 OF 1

CERTIFICATION DATA SHEET

Model#: 182TTTS18532 AN **WINDING#:** K1824153 NONE 2
CONN. DIAGRAM: A-EE7300T **ASSEMBLY:** F1/F2 CAPABLE
OUTLINE: A-SS67889-675

TYPICAL MOTOR PERFORMANCE DATA

HP	KW	SYNC. RPM	F.L. RPM	FRAME	ENCLOSURE	KVA CODE	DESIGN
3	2.24	1800	1755	182T	TEAO	K	B

PH	Hz	VOLTS	FL AMPS	START TYPE	DUTY	INSL	S.F	AMB°C	ELEVATION
3	60	460	3.9	LINE OR INVERTER	CONTINUOUS	H4	1.0	100	3300

FULL LOAD EFF: 90.2	3/4 LOAD EFF: 90.2	1/2 LOAD EFF: 88.5	GTD. EFF	ELEC. TYPE	NO LOAD AMPS
FULL LOAD PF: 81	3/4 LOAD PF: 76	1/2 LOAD PF: 65	89.5	SQ CAGE INV RATED	1.8

F.L. TORQUE	LOCKED ROTOR AMPS	L.R. TORQUE	B.D. TORQUE	F.L. RISE°C
9 LB-FT	32	20 LB-FT 222	28 LB-FT 311	90

SOUND PRESSURE @ 3 FT.	SOUND POWER	ROTOR WK^2	MAX. WK^2	SAFE STALL TIME	STARTS /HOUR	APPROX. MOTOR WGT
0 dBA	10 dBA	0.4 LB-FT^2	20 LB-FT^2	25 SEC.	2	90 LBS.

***** SUPPLEMENTAL INFORMATION *****

DE BRACKET TYPE	ODE BRACKET TYPE	MOUNT TYPE	ORIENTATION	SEVERE DUTY	HAZARDOUS LOCATION	DRIP COVER	SCREENS	PAINT
STANDARD	STANDARD	RIGID	HORIZONTAL	PREMIUM SEVERE DUTY	NONE	FALSE	NONE	BLUE (EPOXY)

BEARINGS		GREASE	SHAFT TYPE	SPECIAL DE	SPECIAL ODE	SHAFT MATERIAL	FRAME MATERIAL
DE	OPE						
BALL / HEAT STABILIZED	BALL / HEAT STABILIZED	DC 44M	T	NONE	NONE	1144 STRESSPROOF (C-223)	CAST IRON
6206	6205						

THERMO-PROTECTORS				THERMISTORS	CONTROL	SPACE /n HEATERS
THERMOSTATS	PROTECTORS	WDG RTDs	BRG RTDs			
TSTATS CLH (N/C)	NOT	NONE	NONE	NONE	FALSE	NONE VOLTS

If Inverter equals NONE, contact factory for further information

*
N
O
T
E
S
*

INVERTER TORQUE: VARIABLE 20:1
INV. HP SPEED RANGE: NONE
ENCODER: NONE
NONE NONE
NONE NONE PPR
BRAKE: NONE NONE
NONE P/N NONE
NONE NONE
NONE FT-LB NONE V NONE Hz

DATE: 06/27/2017 03:46:26 AM
 FORM 3531 REV.3 02/07/99
 ** Subject to change without notice.

Data Sheet

Date: 29-06-2017
 Customer: _____
 Attention: _____
 Submitted by: FAREEDA DUDEKULA



182TTS18532

Submittal

Data @ 460 V

Motor Load Data

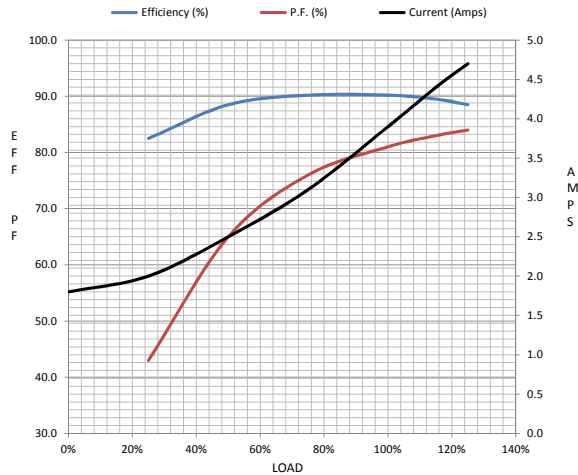
Load	0%	25%	50%	75%	100%	115%	125%	LR
Current (Amps)	1.80	2.00	2.50	3.1	3.9	4.4	4.7	32.0
Torque (ft-lb)	0.00	2.20	4.4	6.7	9.0	10.4	11.2	20.0
RPM	1800	1790	1780	1770	1755	1,750	1745	0
Efficiency (%)		82.5	88.5	90.2	90.2	89.5	88.5	
P.F. (%)	6.5	43.0	65.0	76.0	81.0	83.0	84.0	45.0

Motor Speed Data

	LR	Pull-Up	BD	Rated	Idle
Speed (RPM)	0	750	1375	1755	1800
Current (Amps)	32.0	29.0	19.5	3.9	1.80
Torque (ft-lb)	20.0	18.0	28.0	9.0	0.00

Information Block

HP	3.0			
Sync. RPM	1800			
Frame	182			
Enclosure	TEAO			
Construction	TTS			
Voltage	460 V			
Frequency	60 Hz			
Design	B			
LR Code letter	K			
Service Factor	1.15			
Temp Rise @ FL	0 ° C			
Duty	CONT AOM			
Ambient	40 ° C			
Elevation	1,000 feet			
Rotor/Shaft wk ²	0.40 Lb-Ft ²			
Ref Wdg	K1824153 NONE			
Sound Pressure @ 1M	0 dBA			
VFD Rating	VARIABLE 20:1			
Outline Dwg	A-SS67889-675			
Conn. Diag	A-EE7300T			
Additional Specifications:				
0				
365THFS8036				
EQUIV CKT (OHMS / PHASE)				
R1	R2	X1	X2	Xm
2.6930	1.8140	5.4340	8.6090	147.8930



Speed -Torque Curve

